

# CPU Cooling System

## X21NGA rev.C



Rev.B



Verax **X21NGA**, the 81x96x120mm CPU-Cooling System suitable for INTEL XEON **Dempsey Woodcrest Clovertown Wolfdale Harpertown** socket **LGA771**:

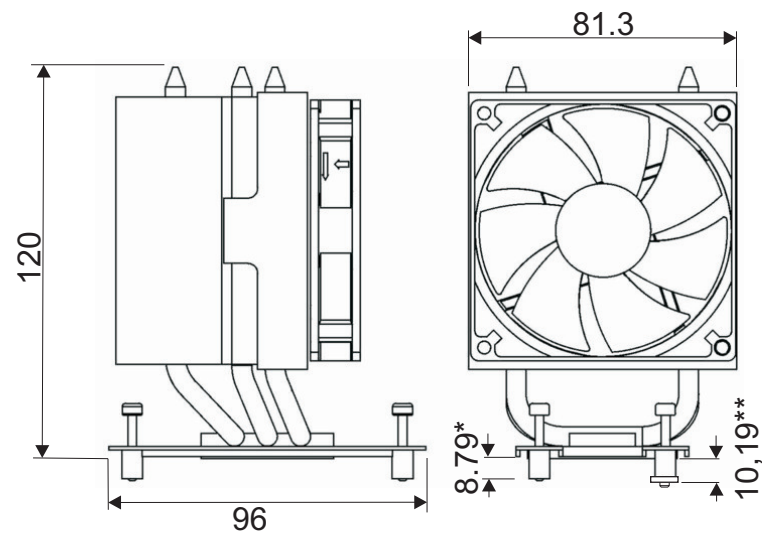
- Fan mounting with anti-vibration rubber fasteners
- Extreme cooling power in quiet operating mode
- Long service life with 2 ball bearings
- 80x80x25mm-fan equipped with **Verax PWM/T**-technology
- Heatsink with heatpipes/fins
- 3x U-shaped 6mm heatpipes
- Hi-quality heat-transfer compound application
- Connection with built-in safety against polarity reversal, blockage, and overload
- Power connection via 4-pin Molex connector 2543 with rpm signal wire and PWM-control lead
- Weight 487g
- 4 x 1,5mm Pa-spacers for use with older Xeon models:  $\mu$ PGA604 (**Nocona, Irwindale**)

Art.No.	TYPE	FAN	Nominal Voltage	Voltage	Sleeve/ Ball Bearing	Connector (Cable Length)	Current (typical)	Power Input (typ.)	Speed Range	Thermal Resistance	Temp.
			VDC	VDC							
0200418	X21 NGA	DS08025B12U	12	7...13,2	B	4 Wire w/ Molex plug 2543(150mm)	0,56 (0.07-0.4)	6,72 (0.85-4.8)	4.750 1.950	0,246 to 0,143	0... 70°C

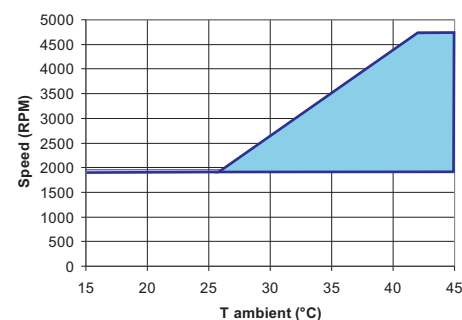
The Verax X21NGA offers strong and quiet cooling power for the following processor types:

Processor types	$\vartheta$ [°C]*
INTEL XEON 50xx, 51xx, 52xx, 53xx, 54xx (FSB 800/1066/1333/1600 MHz) socket 771 all frequencies	42

\*  $\vartheta$  = maximum ambient temperature in housing



Characteristic diagram DS08025B12U PWM/T



\* LGA771 as-is condition  
 \*\* spacers 3,2x1,5x7 (white/black) ensure compatibility for  $\mu$ PGA604 (FSB800). The spacers are placed over the bolts so that the first turn of the thread is visible.

**Verax Ventilatoren GmbH**  
 Forsthausstraße 1  
 78048 Villingen-Schwenningen  
 Telefon +49(0)7721-9989-0  
 Fax +49(0)7721-9989-20  
[info@verax.de](mailto:info@verax.de)  
[www.verax.de](http://www.verax.de)